



CH-514RXWPL

HDMI over CAT5e/6/7 Wall Plate Receiver



Operation Manual



DISCLAIMERS

The information in this manual has been carefully checked and is believed to be accurate. Cypress Technology assumes no responsibility for any infringements of patents or other rights of third parties which may result from its use.

Cypress Technology assumes no responsibility for any inaccuracies that may be contained in this document. Cypress also makes no commitment to update or to keep current the information contained in this document.

Cypress Technology reserves the right to make improvements to this document and/or product at any time and without notice.

COPYRIGHT NOTICE

No part of this document may be reproduced, transmitted, transcribed, stored in a retrieval system, or any of its part translated into any language or computer file, in any form or by any means—electronic, mechanical, magnetic, optical, chemical, manual, or otherwise—without express written permission and consent from Cypress Technology.

© Copyright 2011 by Cypress Technology.

All Rights Reserved.

Version 1.0 September 2011

TRADEMARK ACKNOWLEDGMENTS

All products or service names mentioned in this document may be trademarks of the companies with which they are associated.





SAFETY PRECAUTIONS

Please read all instructions before attempting to unpack, install or operate this equipment and before connecting the power supply.

Please keep the following in mind as you unpack and install this equipment:

- Always follow basic safety precautions to reduce the risk of fire, electrical shock and injury to persons.
- To prevent fire or shock hazard, do not expose the unit to rain, moisture or install this product near water.
- Never spill liquid of any kind on or into this product.
- Never push an object of any kind into this product through any openings or empty slots in the unit, as you may damage parts inside the unit.
- Do not attach the power supply cabling to building surfaces.
- Use only the supplied power supply unit (PSU). Do not use the PSU if it is damaged.
- Do not allow anything to rest on the power cabling or allow any weight to be placed upon it or any person walk on it.
- To protect the unit from overheating, do not block any vents or openings in the unit housing that provide ventilation and allow for sufficient space for air to circulate around the unit.

REVISION HISTORY

VERSION NO.	DATE DD/MM/YY	SUMMARY OF CHANGE
RDV1	20/06/13	Preliminary Release



CONTENTS

1. Introduction	1
2. Applications	1
3. Package Contents	1
4. System Requirements	1
5. Features	2
6. Operation Controls and Functions	3
6.1 Front Panel	3
6.2 Rear Panel.....	4
6.3 IR Cable Pin Assignment.....	4
7. Connection Diagram	5
8. Specifications	6
8.1 CAT5e/6/7 Cable Specification	7
9. Acronyms	7





1. INTRODUCTION

The HDMI over CAT5e/6/7 Wall plate Receiver make your home or office more efficient. This Receiver can receive uncompressed Video/Audio and Bi-directional IR over 60 meters from Transmitter. It is freely to connect with compatible Transmitter through CAT5e/6/7 for data transmission.

2. APPLICATIONS

- Household entertainment sharing and control
- Showroom/Meeting room/Classroom display and control

3. PACKAGE CONTENTS

- HDMI over Cat5e/6/7 Receiver
- IR Blaster x 1
- IR Receiver x 1
- 5V DC Power Adaptor
- Operation Manual

4. SYSTEM REQUIREMENTS

Input HDMI over CAT5e/6/7 Transmitter and output with HDMI TV/display

5. FEATURES

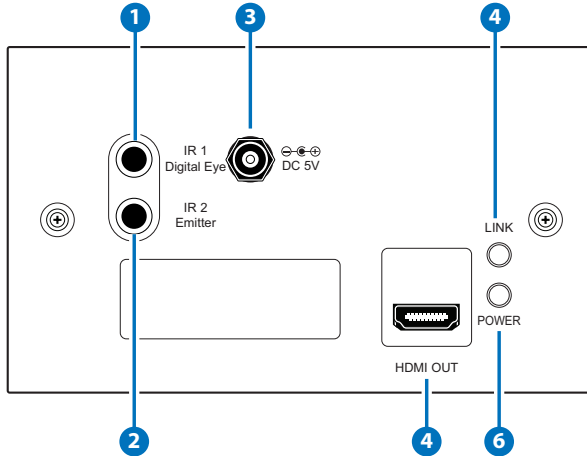
- HDMI with 3D & 4Kx2K supported, HDCP and DVI compliant
- Supports data rate from 250Mbps up to 3Gbps
- Supports wide range of PC resolutions from VGA to WUXGA and HDTV resolutions up to 4Kx2K (3840x2160@30Hz and 4096x2160@24Hz)
- Supports LPCM 7.1CH, Dolby TrueHD, Dolby Digital Plus and DTS-HD
- Master Audio transmission (32-192kHz sample rate)
- Supports distance up to 60 meters through HDMI to CAT5e/6/7 Transmitter
- Supports Bi-directional IR control
- Wall plate design and installation friendly

Note:

- 1. This system was tested with CAT6/23AWG cables, results may vary with cables of a different specification.*
- 2. Displaying HDMI 4Kx2K resolution require the standard 4Kx2K HDMI cable and display in order for proper image displaying.*

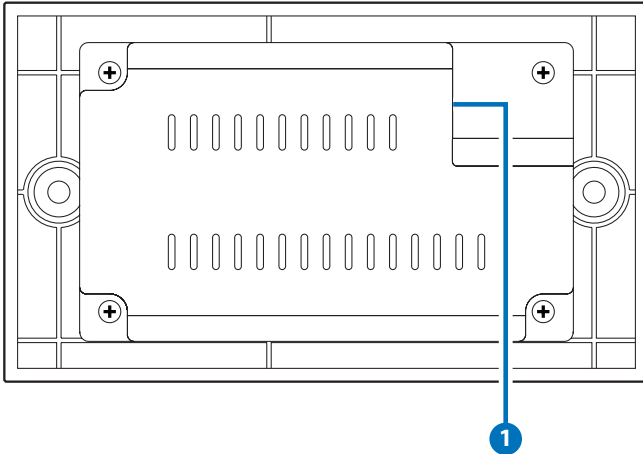
6. OPERATION CONTROLS AND FUNCTIONS

6.1 Front Panel



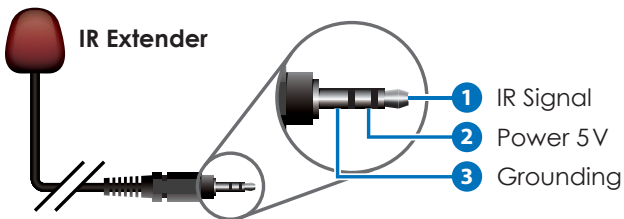
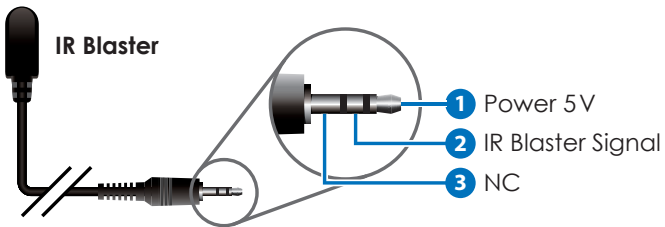
- 1 IR 1 EXTENDER:** Connect to the supplied IR Extender cable for IR signal reception. Ensure that remote controller being used is within the direct line-of-sight of the IR Extender.
- 2 IR2 BLASTER:** Connect to the supplied IR Blaster cable for IR signal transmission. Place the IR Blaster in direct line-of sight of the equipment to be controlled.
- 3 DC 5V:** Plug the 5V DC power supply into the unit and connect the adaptor to an AC outlet.
- 4 HDMI OUT:** Connect to HDMI TV/display for instant image display or cascade with another family type Transmitter.
- 5 LINK LED:** This LED will illuminate when both CAT5e/6/7 input and output signal is connected.
- 6 POWER LED:** This LED will illuminate when the device is connected to a power supply.

6.2 Rear Panel

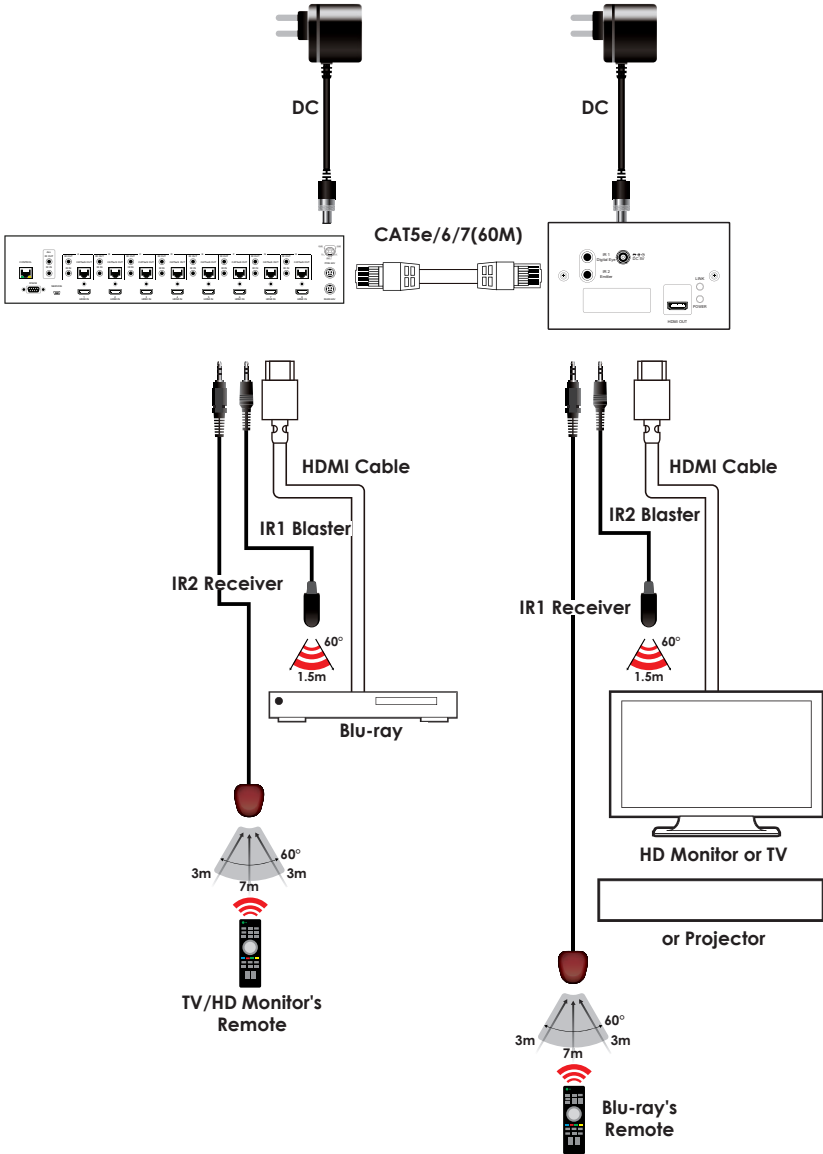


- 1 CAT5e/6/7:** Connect this port to HDMI to CAT5e/6/7 Transmitter (without PoE function) with CAT5e/6/7 cable to extend the signal up to 60 meters.

6.3 IR Cable Pin Assignment



7. CONNECTION DIAGRAM



8. SPECIFICATIONS

Video Bandwidth	300Mbps/10.2Gbps
Input ports	1 x CAT5e/6/7 1 x IR Extender
CAT5e/6/7 Input Cable Distance	Up to 60 meters
Output port	1 x HDMI, 1 x IR Blaster
HDMI Output Cable Distance	
Resolution	Up to 4Kx2K (3840x2160@30Hz/4096x2160@24Hz)
IR Frequency	30 ~50kHz
Power Supply	5V / 2.6A DC (US/EU standards, CE/FCC/ UL certified)
ESD Protection	Human-body Model: ±8kV (air-gap discharge) ±4kV (contact discharge)
IR Frequency	30~50 kHz
Dimensions (mm)	145.5 (W) x 85.5 (D) x 36.5 (H)
Weight (g)	154
Chassis Material	Plastic
Silkscreen Color	White
Operating Temperature	0 °C~40 °C
Storage Temperature	-20 °C ~ 60 °C/-4 °F~140 °F
Relative Humidity	20~90% RH (non-condensing)
Power Consumption	5W



8.1 CAT5e/6/7 Cable Specification

Cable Type	Range	Pixel clock rate	Video Data Rate	Supported Video
CAT5e/6/7	60 m	<=225 MHz	<=5.3 Gbps (HD Video)	Up to 1080p, 60 Hz, 36 bits, 3D (data rates lower than 5.3 Gbps or below 225 MHz TMDs clock).
	40 m	>225 MHz	> 5.3 Gbps (Ultra HD Video)	4K2K, 30Hz video formats

9. ACRONYMS

ACRONYM	COMPLETE TERM
4Kx2K	3840x2160 / 4096x2160
DTS	Digital Theater System
HDMI	High-Definition Multimedia Interface
DVI	Digital Visual Interface
HDCP	High-bandwidth Digital Content Protection
HDTV	High-Definition Television
PoE	Power over Ethernet



CYPRESS TECHNOLOGY CO., LTD

Home page: <http://www.cypress.com.tw>

20130708 MPM-CH514RXWP