



This 9 by 2 multi-format scaling switcher provides HDMI, USB Type C, HDBaseT, and VGA inputs which can be freely selected for output at a scaled resolution of the user's choosing over the mirrored HDMI and HDBaseT outputs. The HDMI and USB-C ports support resolutions up to 4K@60 (4:4:4, 8-bit) while the HDBaseT output supports automatic down-conversion of 4K60(4:4:4) sources to 4K60(4:2:0). The VGA inputs support resolutions up to WUXGA. The HDBaseT output provides a great solution to extend your audio and video up to 70 meters (at 4K) over a single run of Cat.5e/6/7 cable as well as providing 48V PoH power to compatible HDBaseT Receivers.

This unit also includes multiple analog stereo audio inputs and a microphone input along with an amplified analog stereo output to provide a range of audio routing and mixing flexibility. The built-in audio mixer function allows the user to mix audio from any analog input with the microphone input for presentation or lecture usage. The ability to switch back and forth between mixed and non-mixed audio greatly simplifies the presentation experience.

A trigger input interface is also provided to allow the easy addition of a remote control keypad, or other trigger-supporting products, which can be installed within a podium or within a table in a conference room or classroom. This interface can allow the user to activate functions with the simple press of a button. Standard control is available via front panel buttons with an On-Screen Display (OSD), WebGUI, IR remote, Telnet, and RS-232 making it exceptionally versatile.

FEATURES

- 9 video inputs (1xUSB-C, 2xHDBaseT, 4xHDMI, 2xVGA)
- 2 mirrored video outputs (1xHDMI, 1xHDBaseT)
- Supports switching and scaling of all AV inputs for display over the mirrored HDMI and HDBaseT outputs
- Supports up to 4K UHD (18Gbps, 4K@50/60Hz 4:4:4, 8-bit) video input and output
- Note: The HDBaseT output will automatically down-convert 4K50/60(4:4:4) sources to 4K50/60(4:2:0) to maintain compatibility
- Supports Deep Color input and output up to 12-bit (Bypass only for output)
- Supports 10-bit and 12-bit HDR (High Dynamic Range) input/output (Bypass only for output)
- HDBaseT output transmits video and audio over a single Cat.5e/6/7 cable up to 100m/328ft at 1080p and 70m/230ft at 4K
- Supports pass-through of many audio formats including LPCM 2.0/5.1/7.1, Bitstream, and HD Bitstream
- Audio mixer function allows the mixing of audio from any analog input with the microphone input
- Trigger Control Keypad support for easy, single-button, function activation (Optional)
- Supports standard 48V PoH from the HDBaseT output (PSE) to a connected HDBaseT Receiver (PD) (compatible Receivers only)
- Comprehensive EDID and HDCP management

PANELS

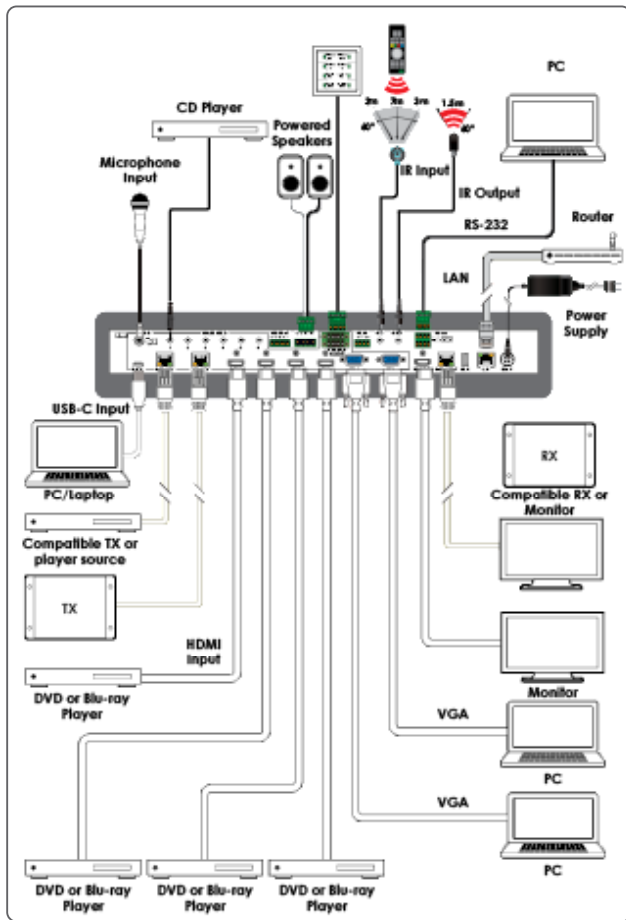


Front View



Rear View

DIAGRAM



ORDERING INFORMATION

Model No.	Product Description
CDPS-4KQ-AD	HDMI/HDBaseT/USB-C/VGA to HDMI/HDBaseT Scaler
For Cat5e/6/7 IN	
CH-2527TX	HDMI over HDBaseT Transmitter (PD)
For Cat5e/6/7 OUT	
CH-1527RX	HDMI over CAT5e/6/7 Receiver with LAN/IR/RS-232/PoE (PD)
CH-1529RX	HDCP 2.2 & HDMI2.0 Extender with OAR / Audio Insertion (PD)

SPECIFICATIONS

Interfaces	
Input Ports	1 USB-C 2 Cat5e/6/7 4 HDMI(Type-A) 2 VGA
Output Ports	1 HDMI (Type-A) 1 Cat5e/6/7
Control I/O	1 IR Extender (3.5mm) 1 IR Blaster (3.5mm) (these are for HDBT pass through) 1 RS-232 (3-pin Terminal Block) 1 LAN (RJ-45) 1 Trigger(Terminal Block) 1 Relay(Terminal Block)
Audio	1 MIC in 6 Analog audio in 2 Unbalanced Stereo out (3.5mm)
Service Port	1 USB (Type-A)
Video	
HDMI Compliance	HDMI 2.0 (DVI 1.0)
HDCP Compliance	2.2
Input Signal Types	4K@60 8-bit YUV 4:4:4, HDR10
Output Signal Types	4K@60 8-bit YUV 4:4:4, HDR10
Resolutions	
Maximum Input	HDMI 4096×2160p@60 2560×1600p@60RB
	Cat5e/6/7 4096×2160p@30 2560×1600p@60RB
	VGA 1920x1200@60RB
	USB-C 4096×2160p@60 2560×1600p@60RB
Maximum Output	HDMI 4096×2160p@60 2560×1600p@60RB
	Cat5e/6/7 4096×2160p@60 2560×1600p@60RB

Audio	
Digital Formats	HDMI 8CH LPCM, Bitstream, HD Bitstream
Analog Formats	Unbalanced 2 Channel
Line Level	Frequency Response: $\pm 0.5\text{dB}$ (20Hz to 20kHz) THD: <math>< 0.02\%</math> (20Hz to 20kHz) S/N Ratio: > 80dB (1kHz with 0dBFS) Crosstalk: <math>< -80\text{dB}</math> (10kHz, $V_{in}=0\text{dBFS}</math>)$

Power	
Power Supply	24V/6.25A (Locking)
Power Consumption	53.966W

Enclosure	
Chassis Material	Metal
Chassis Color	Black
Dimensions (W×H×D)	432mm×43mm×164mm [Case Only] 432mm×43mm×174mm [All Inclusive]
Weight	2547g